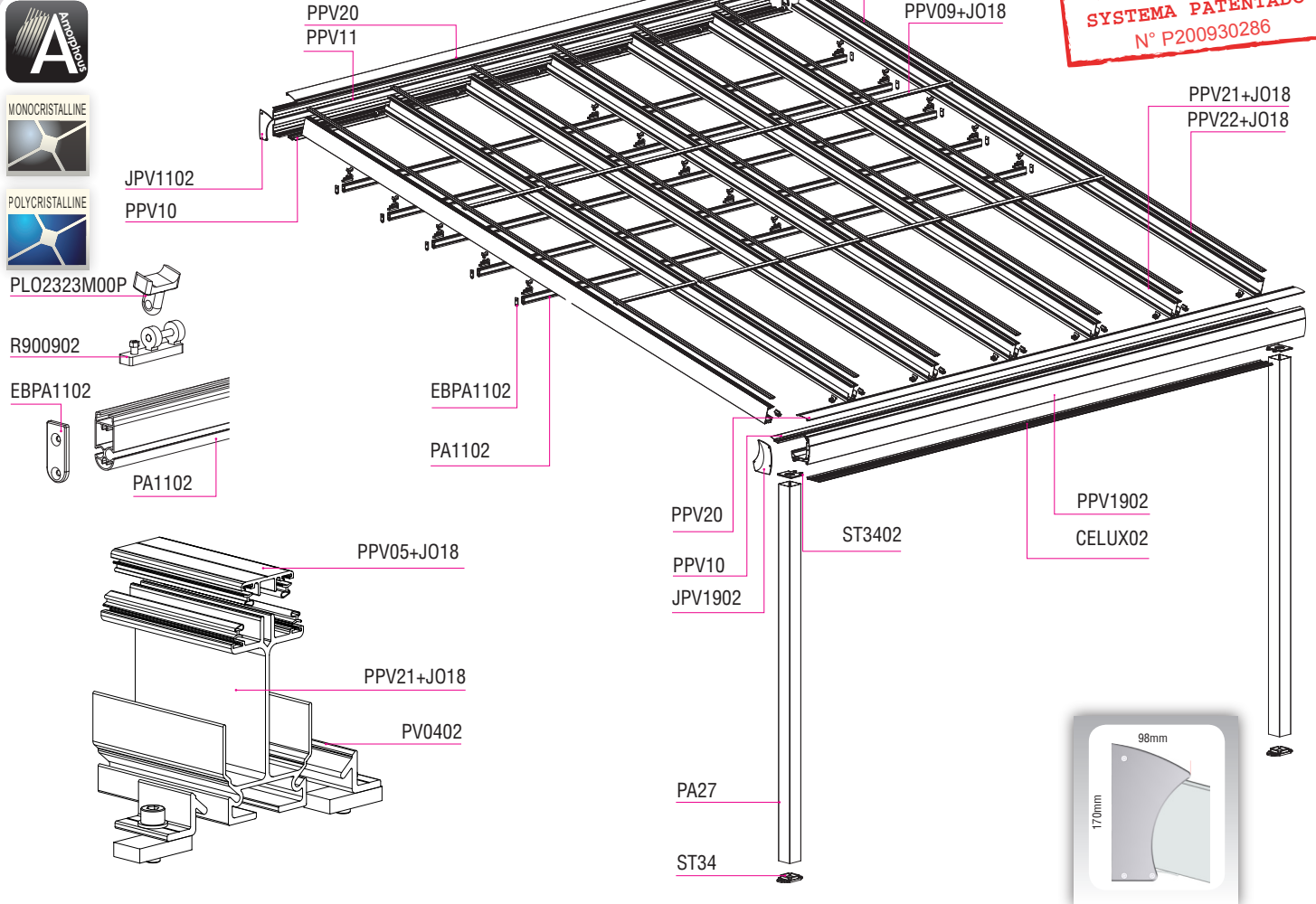


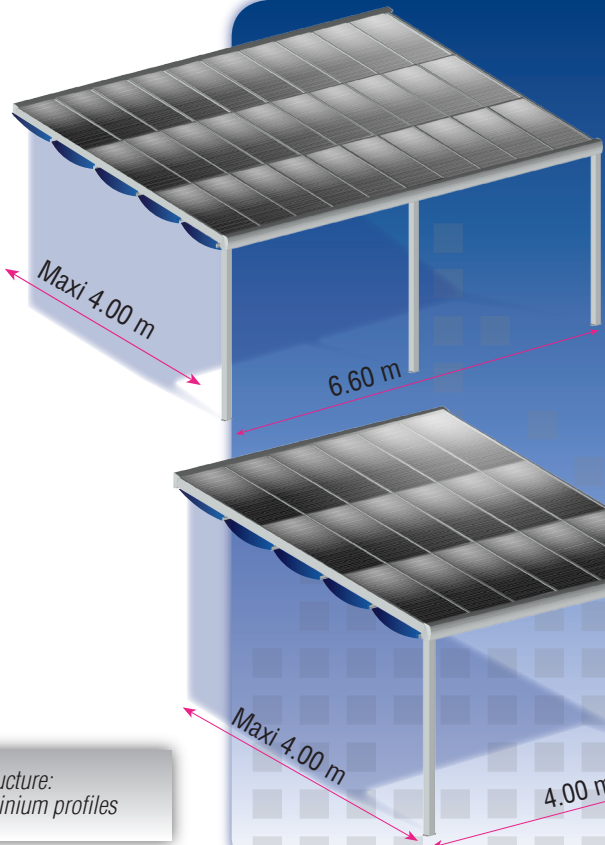
# N PERGOLA

**N pergola structure for unframed solar panels**  
 Structure Brise soleil N maxi 3kW pour panneaux non cadrés  
 Estructura pérgola N multifunción sin marco  
 Pergola N - Anlage für amorphe, polykristalline oder monokristalline Module ohne Rahmen

**PATENTED SYSTEM**  
**SYSTÈME BREVETÉ**  
**SYSTEMA PATENTADO**  
 N° P200930286



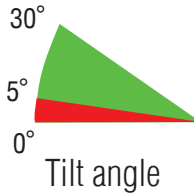
**MITJAVILA**



- Structure:  
aluminium profiles

## ADVANTAGES

- Wall fixation
- 4 metre projection
- Stylish design



For 7mm thick panels

- Maximum use dimensions:
- Length: 6.60 metres
  - Length between posts: 4.00 metres
  - Projection: 4.00 metres
  - Height of the posts: 2.50 metres



PORTRAIT INSTALLATION ONLY



FOR UNFRAMED PANELS

